

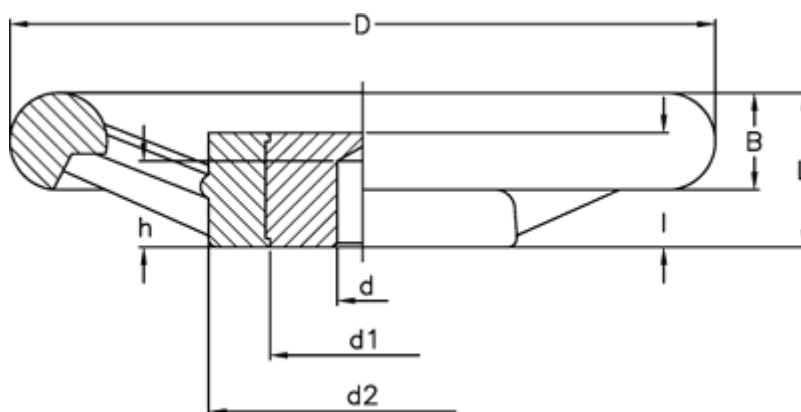
Data Sheet



Article number: 2301080101

Description: E+G Handwheel
VRU.160

Measures



B	= 22	L	= 35
C (N m)	= 350	L (J)	= 13
D	= 160		
d1	= 42		
d2	= 70		
d H9	= 10		
h	= 17		
l	= 26		